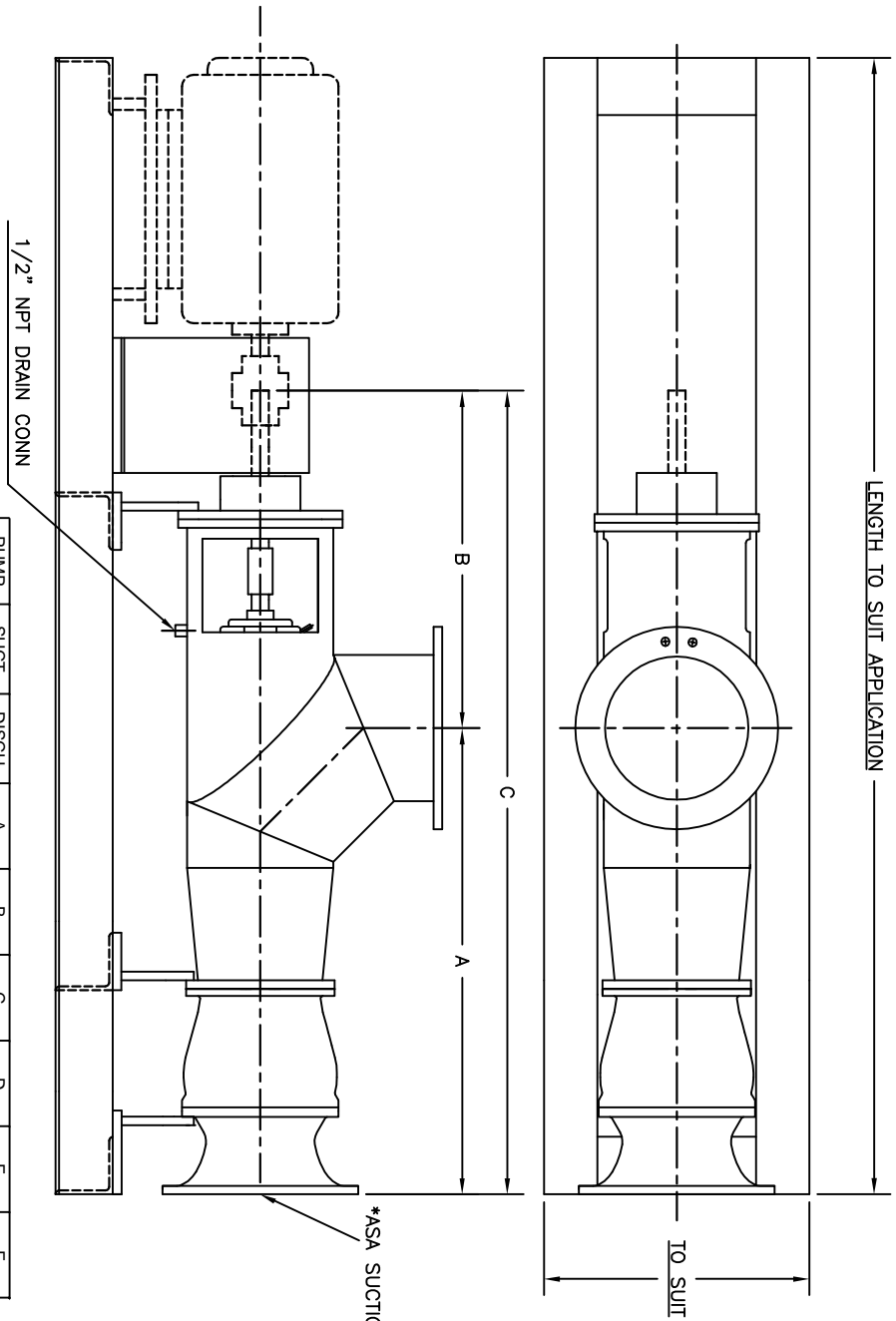


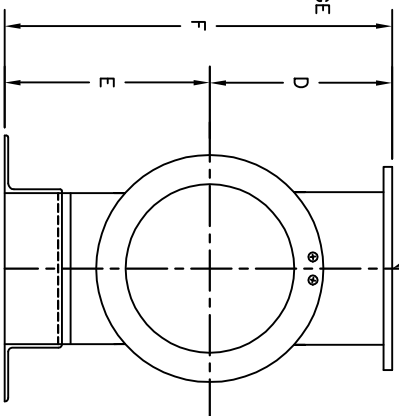
REVISIONS



PUMP SIZE	SUCT FLANGE	DISCH FLANGE	A	B	C	D	E	F
6	10	8	23	20	43	12	14	26
8	10	8	25	20	45	12	14	26
10	12	10	29	23	52	14	16	30
12	14	12	36	25	61	16	17	33
14	18	14	40	26	66	21	20	41
16	20	16	46	29	75	22	20	42
18	24	18	55	31	86	22	22	44
20	30	24	70	35	105	24	27	51
24	30	30	76	44	120	30	27	57
30	36	30	81	39	120	30	31	61
36	36	36	88	45	133	36	31	67

*FLANGES ARE:
 8" TO 16" INCL. - 125#ASA
 20" TO 42" INCL. - 25# ASA

*ASA DISCHARGE FLANGE
 (CAN BE ROTATED 90° EITHER
 WAY FROM POSITION SHOWN)



CASCADE PUMP COMPANY
 SANTA FE SPRINGS, CALIFORNIA

OUTLINE DIMENSIONS
 CASCADE HORIZONTAL
 MIXED FLOW PUMPS

ORDER	DATE	SCALE
DRAWN	CHECKED	N.T.S.